

CareE-Vac

Smoke Evacuation Range

Protecting you and your patient



VacSax®

www.vacsax.co.uk

DCC VITAL

CareVac

FC-U Surgical Smoke Evacuator (including Filter)



Product Features

- **Procedure operating modes** – the desired procedure can be set simply by touching the corresponding image. Automatically customising suction default levels based on the chosen surgical procedure.
- **Longer lasting filter life** – up to 50 hours.
- **Touch screen** – the touch screen panel can be operated when wearing gloves.
- **Multi port filter design** – three different sized connection ports are designed to create an air tight bond with the port. The port cover cap eliminates any possible contamination when connecting the hose to the unit.
- **Foot switch included.**



Technical Specification

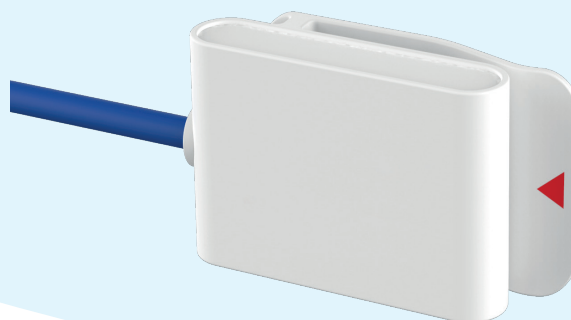
Item	Specification
Noise levels (normal values)	Maximum power < 55 dBA
Dimensions (H x W x D)	6in x 11in x 15.5in (15.2cm x 27.9cm x 39.4cm)
Flow rates	36cfm (708lpm) using 7/8in (22mm) tubing
Weight	With filter installed: 12.0lbs (5.0kg) Without filter installed: 9.5lbs (4kg)
Certifications	CE, FDA
Warranty	Three (3) year full warranty

Smoke Evacuation System Accessories

**Smoke Evacuation Machine Filter
(up to 50 hours)**



**Automatic Activation Device
(optional)**



**Foot Switch
(included)**



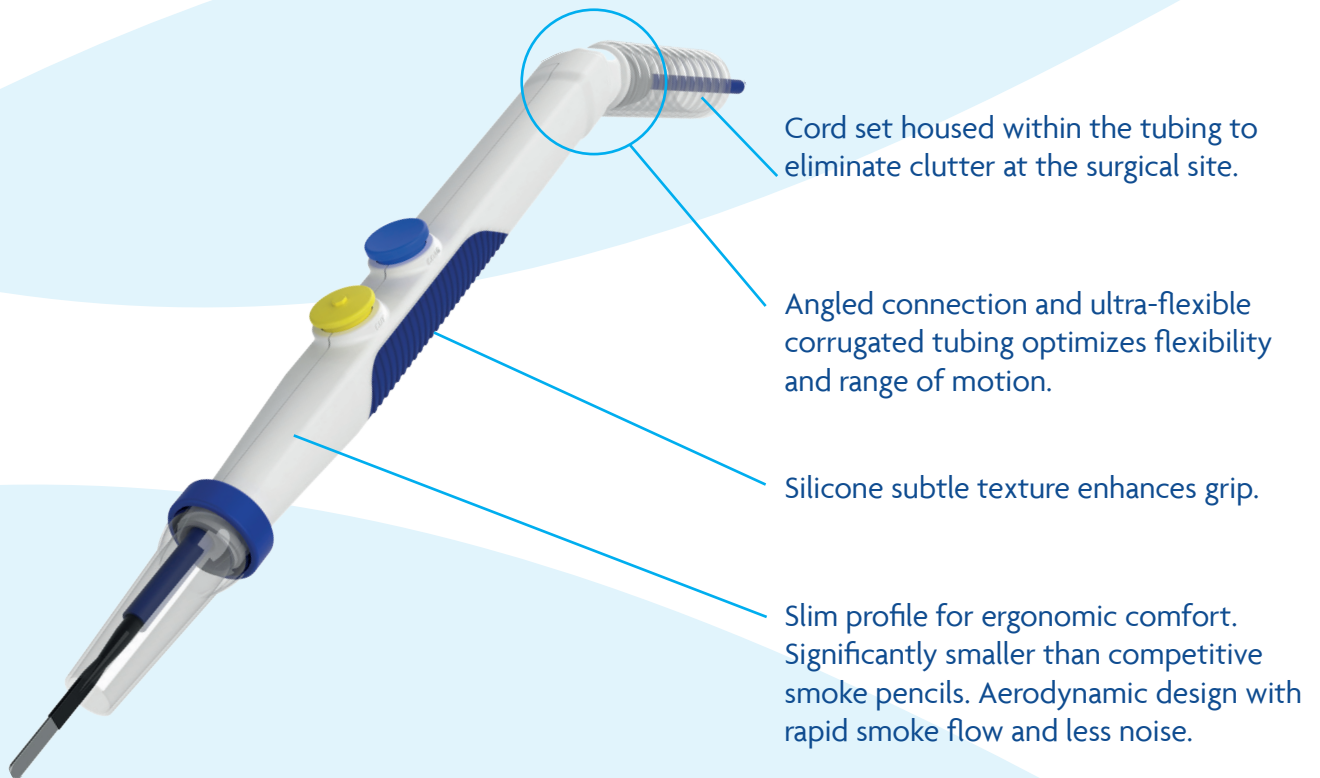
Product Codes

Model	Product Description	Packaging Info
FC-U	Care E-Vac Smoke Evacuation Machine	1pc / Pack
FC-CAF	Care E-Vac Smoke Evacuation Machine Filter	4pcs / Pack
FC-A	Care E-Vac Automatic Activation Device	1pc / Pack

Care E-Vac

FC-PS07 - Standard Smoke Evacuation Pencil

The Care E-Vac Standard Smoke Evacuation Pencil is compatible with any electrode on the market, including hex-shaped electrodes. Compact design and low-profile front end enhances visibility of the surgical field. Transparent nozzle minimizes any obstruction of the blade's tip or target tissue. Nozzle x-ray identifiable.



Model	Product Description	Box Quantity
FC-PS07-K70GY	Care E-Vac Standard Smoke Evacuation Pencil 70mm Non-stick Blade Electrode, S Nozzle 3.0m (10ft) Tubing, 22mm Connector, 3.0m (10ft) Cord	20pcs / Pack

FC-PS11 - Telescopic Smoke Evacuation Pencil

Position the smoke nozzle anywhere without changing of the electrode.

No additional lengths of electrodes or different size smoke evacuation nozzles are needed.

Square locking mechanism prevents electrode from moving during operation.

Electrode is significantly more stable at maximal length position than competitive products.

Angled connection and ultra-flexible corrugated tubing optimizes flexibility and range of motion.

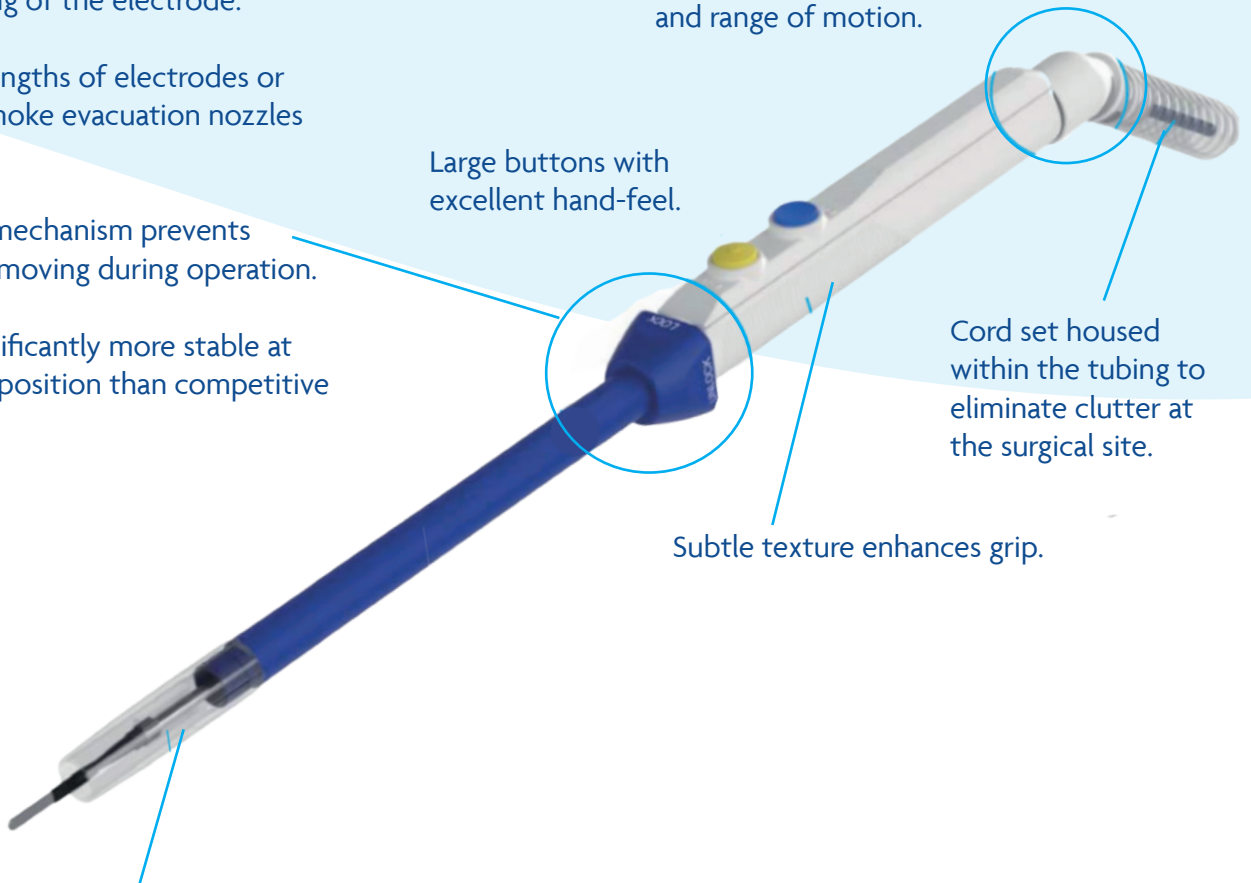
Large buttons with excellent hand-feel.

Cord set housed within the tubing to eliminate clutter at the surgical site.

Subtle texture enhances grip.

Compact design and low-profile front end enhances visibility of the surgical field.

Transparent nozzle minimizes any obstruction of the blade's tip or target tissue.

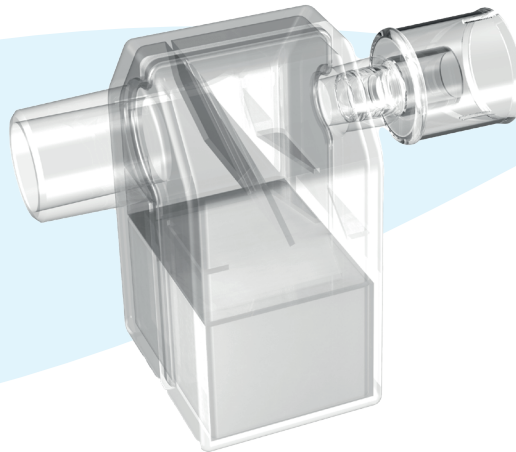


Model	Product Description	Box Quantity
FC-PS11-K50GY	Care E-Vac Telescopic Smoke Evacuation Pencil 50mm Non-stick Blade Electrode, Telescopic Function with Locking Mechanism 3.0m (10ft) Tubing, 22mm Connector, 3.0m (10ft) Cord	20pcs / Pack

Smoke Evacuation Accessories

Smoke Evacuation Liquid Trap

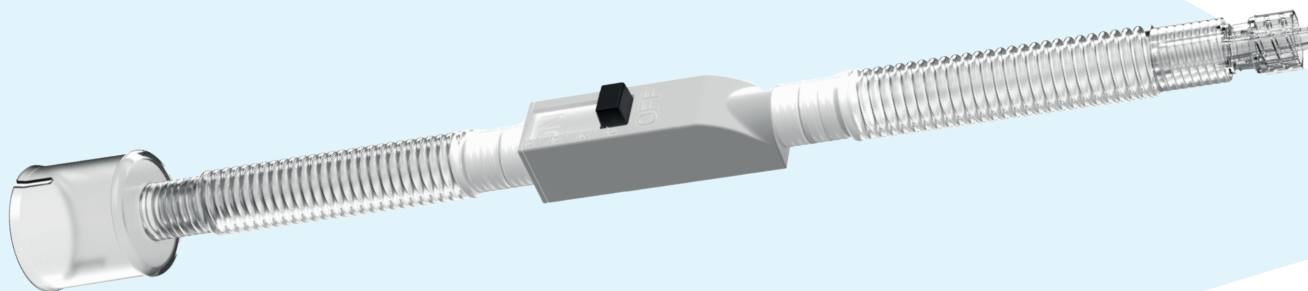
- 22mm male inlet for Smoke Evacuation Pencil
- Liquid trap
- Sponge liquid collector (50ml)
- 22mm female outlet for Smoke Evacuator



Model	Product Description	Packaging Info
FC-P-FT1	Care E-Vac Smoke Evacuation Fluid Trap 22mm 50ml	20pcs / Pack
FC-P-F2	Care E-Vac Smoke Evacuation HEPA Filter + Fluid Trap	20pcs / Pack

Surgical Smoke Evacuation Tubing

- Male luer connection
- Suction regulator from 0%-100% connection
- 22mm female outlet for Smoke Evacuator



Model	Product Description	Packaging Info
FC-ESE-TS1	Care E-Vac Gynaecological Smoke Evacuation Tubing 3m – Sterile	20pcs / Pack
FC- ESE-TS4	Care E-Vac Laparoscopic Surgical Smoke Evacuation Tubing 3m, with Regulator – Sterile	20pcs / Pack
FC-ESE-TS6	Care E-Vac Open Surgical Smoke Evacuation Tubing 3m, with Mesh Guard – Sterile	20pcs / Pack

Passive Smoke Evacuation Filter

Recommended for use during minimally invasive surgery involving insufflation, electrocautery, ultrasonic scalpel and laser.

- Cost effective solution
- Sterile – single use – easy peel pouch
- Easy to use: attached to the trocar by universal leak free luer connector
- Activated charcoal / bacterial / viral filter - 99.999% efficiency
- Thumb wheel control
- Latex free



Model	Product Description	Packaging Info
FC-PSF0004	Passive Smoke Evacuation Filter	25pcs / Pack



CareE-Vac

Care E-Vac

VacSax Limited
Western Wood Way
Langage Science Park
Plymouth PL7 5BG
United Kingdom

VacSax[®]

DCC VITAL